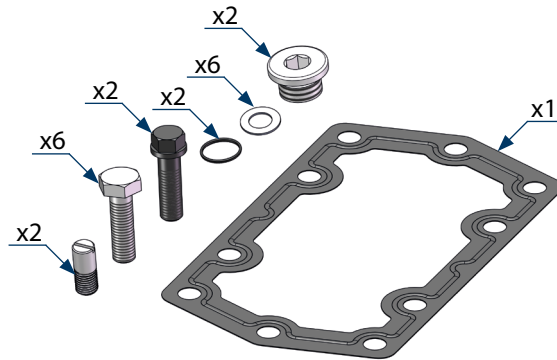
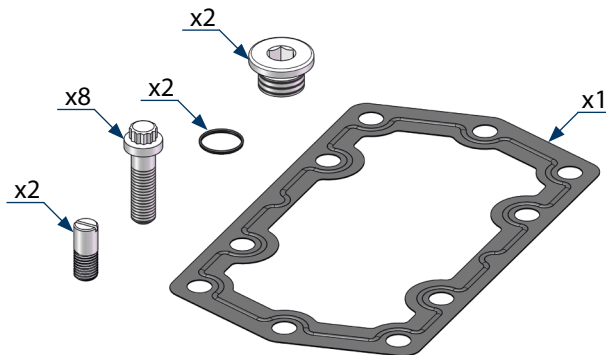


# Allison PTO Mounting Kit

Please note that the Allison PTO Mounting Kit Part Number **15400056268** contains hex head screws will **no longer be produced**.



Alternatively, the kit containing 12-point screws code **15400056320** must be ordered.



The transition takes effect immediately, so if stocks last, any orders received with code 15400056268 they will be automatically diverted to the 15400056320.

Please take note of the change to update your records.